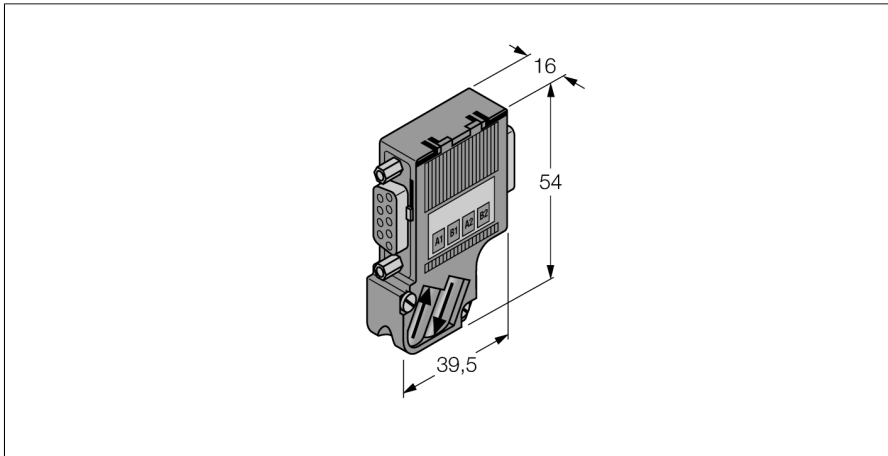


excom I/O System
 RS485 Male, PROFIBUS
 D9T-RS485PG /6ES7972-0BB61-0XA0



- Sub-D FastConnect with 125° cable outlet, switchable terminating resistor and hookup for programming device
- Alternative to the D9T-RS485, plugged on non-Ex end of the segment coupler SC12Ex resp. OC11Ex/3G!

Type	D9T-RS485PG /6ES7972-0BB61-0XA0
ID	6890943
Protection class	IP20
Dimensions	16 x 54 x 39.5 mm