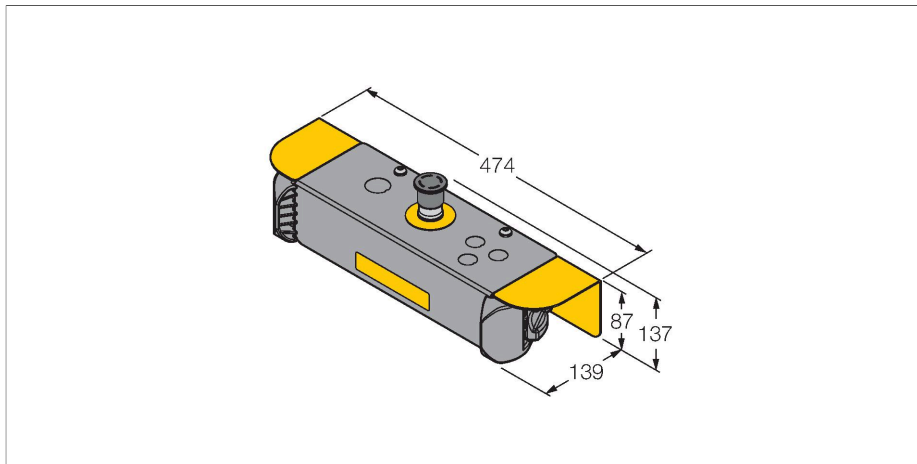


STBVP6-RB2Q8

Photoelectric Sensor – Touch Switch

For Two-Hand Control System



Features

- Kit contains two STBVP6 buttons and a run bar
- Protection class IP65
- Male 7/8", 8-pin
- E-stop button not included
- Ergonomically shaped
- Upper housing part of polyetherimide
- Pre-assembled protective cover

Technical data

Type	STBVP6-RB2Q8
ID	3083538
Optical data	
Function	Touch Button
Light type	IR
Electrical data	
Mechanical data	
Design	Rectangular, STB
Housing material	Plastic, PBT
Protection class	IP66
Tests/approvals	