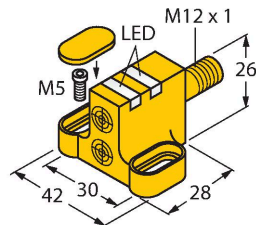


# NI4-DSC26-2AP6X2-H1141

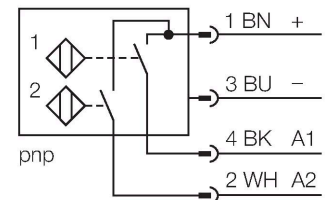
## Inductive Sensor – For Rotary Actuators



### Features

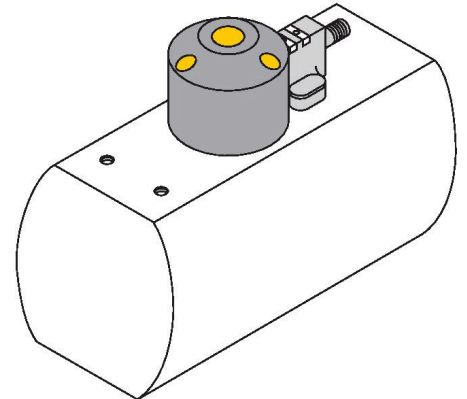
- Rectangular, housing DSC26
- Plastic, PP
- Two outputs for monitoring the position of rotary actuators
- Mounting on all standard actuators
- 2 x NO contact, PNP output
- DC 4-wire, 10...30 VDC

### Wiring diagram



### Functional principle

Inductive sensors detect metal objects contactless and wear-free. Dual sensors are especially designed for position detection in rotary actuators. They combine the reliability of non-contact inductive sensors with the flexibility of a modular housing system.



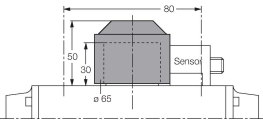
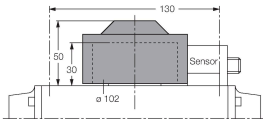
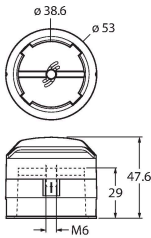
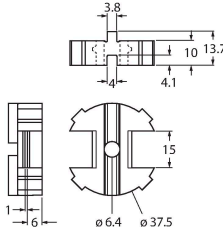
### Technical data

Type	NI4-DSC26-2AP6X2-H1141
ID	1650087
<b>General data</b>	
Rated switching distance	4 mm
Mounting conditions	Non-flush
Correction factors	St37 = 1; Al = 0.3; stainless steel = 0.7; Ms = 0.4
Repeat accuracy	≤ 2 % of full scale
Temperature drift	≤ ±10 %
Hysteresis	3...15 %
<b>Electrical data</b>	
Operating voltage	10...30 VDC
Residual ripple	≤ 10 % U <sub>ss</sub>
DC rated operational current	≤ 200 mA
No-load current	15 mA
Residual current	≤ 0.1 mA
Isolation test voltage	≤ 0.5 kV
Short-circuit protection	yes / Cyclic
Voltage drop at I <sub>a</sub>	≤ 1.8 V
Wire breakage/Reverse polarity protection	Complete
Output function	4-wire, NO contact, PNP
Switching frequency	0.05 kHz
<b>Mechanical data</b>	
Design	Dual sensor for rotary actuators, DSC26
Dimensions	28 x 42 x 26 mm
Housing material	Plastic, PP
Active area material	Plastic, PP


## Technical data

Electrical connection	Connector, M12 × 1
<b>Environmental conditions</b>	
Ambient temperature	-25...+70 °C
Vibration resistance	55 Hz (1 mm)
Shock resistance	30 g (11 ms)
Protection class	IP67
MTTF	2283 years acc. to SN 29500 (Ed. 99) 40 °C
Switching state	2 × LEDs, Yellow/red

## Accessories

<p><b>BTS-DSC26-EB2</b> 6900223</p>  <p>Actuation kit (puck) for dual sensors; end position damped; hole pattern on receptacle surface: 80 x 30 mm and 130 x 30 mm; connection shaft (shaft extension) height: 30 mm/Ø: max. 50 mm</p>	<p><b>BTS-DSC26-EB3</b> 6900224</p>  <p>Actuation kit (puck) for dual sensors; end position damped; hole pattern on receptacle surface: 30 x 130 mm; connection shaft (shaft extension) height: 30 mm/Ø: max. 85 mm</p>
<p><b>BTS-DSC26-EB20</b> 100002102</p>  <p>Actuator (puck) for dual sensors; end position damped; hole pattern on flange: 80 x 30 mm and 130 x 30 mm; connection shaft (shaft extension) height: 30 mm/Ø: max. 35 mm; available as an option: Spacer BTS-DSC26-UR10 for 20-mm-high connection shafts (shaft extension)</p>	<p><b>BTS-DSC26-UR10</b> 100002103</p>  <p>Spacer for dual sensor actuation kit BTS-DSC26-EB20</p>

## Accessories

Dimension drawing	Type	ID	
	RKC4.4T-2/TEL	6625013	Connection cable, M12 female connector, straight, 4-pin, cable length: 2 m, jacket material: PVC, black; cULus approval